

# Path Concept House

2503 Parker Street,  
Omaha, NE 68111.

Torti Gallas and Partners, Inc.  
1300 Spring Street,  
4th Floor  
Silver Spring, MD 20910  
301.588.4800  
www.tortigallaschk.com

Owner  
Brighton Construction Co  
Phone: 402.434.2156  
Fax: 402.434.2150  
1941 K Street  
Lincoln, NE 68510

Project Management  
Newport Partners LLC  
Phone: 301.888.0017  
Fax: 301.888.0018  
3780 Tanglewood Lane  
Davidsonville, MD 21035  
www.newportpartnersllc.com

These construction documents were prepared specifically for the project site located at 2503 Parker Street, Omaha, NE. Subsequent use and/or modification of these documents for any project is strictly prohibited unless the documents are reviewed, modified and sealed by a registered architect in the jurisdiction of the proposed project for code compliance, constructability and site adaptation; the project is a HUD project; and, all users and the registered architect agree to defend, indemnify, and hold harmless Torti Gallas And Partners, Inc., its successors and the past, present and future employees of all of them, from all claims, losses, damages, judgments, cost, including reasonable attorney fees, and expenses that relate to or arise, in any way, out of the use or modification of the documents for other projects. Torti Gallas And Partnership, Inc. retains all common law and statutory copyrights in these documents and their content. Any copying, use or modification of these documents without strict adherence to these conditions will be prosecuted as a violation of these copyrights.

## Key Plan

## Revisions

No. 01 Date 11/24/06  
General Revisions

## Roof Framing

Date  
10/31/06

Principal In Charge  
B.K.

Project Designer  
M.B.

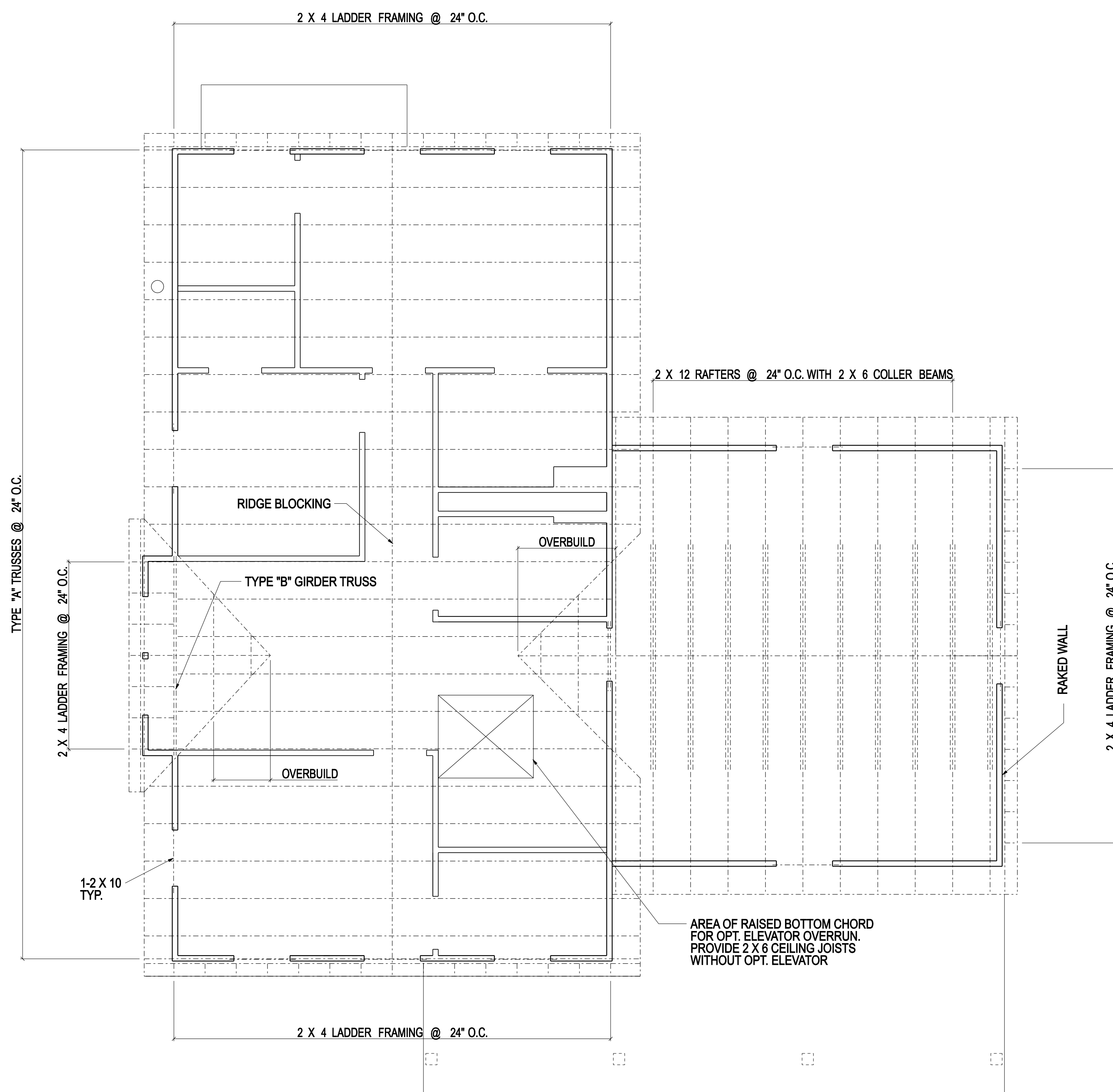
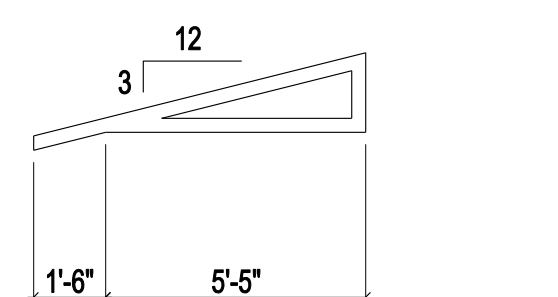
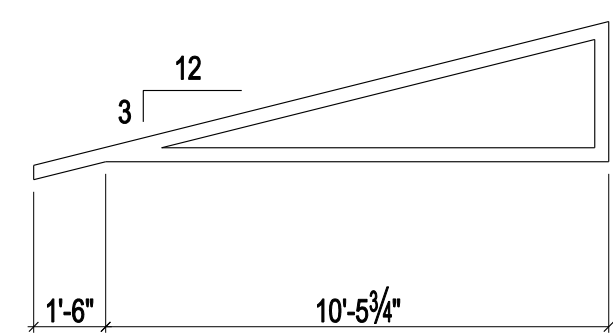
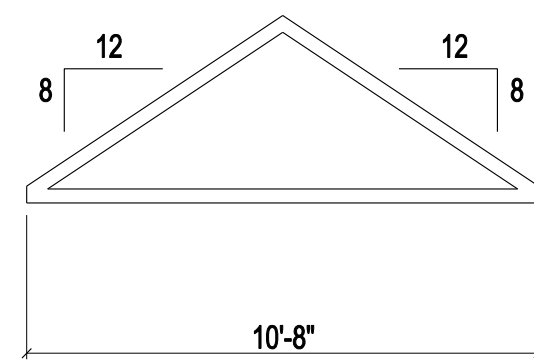
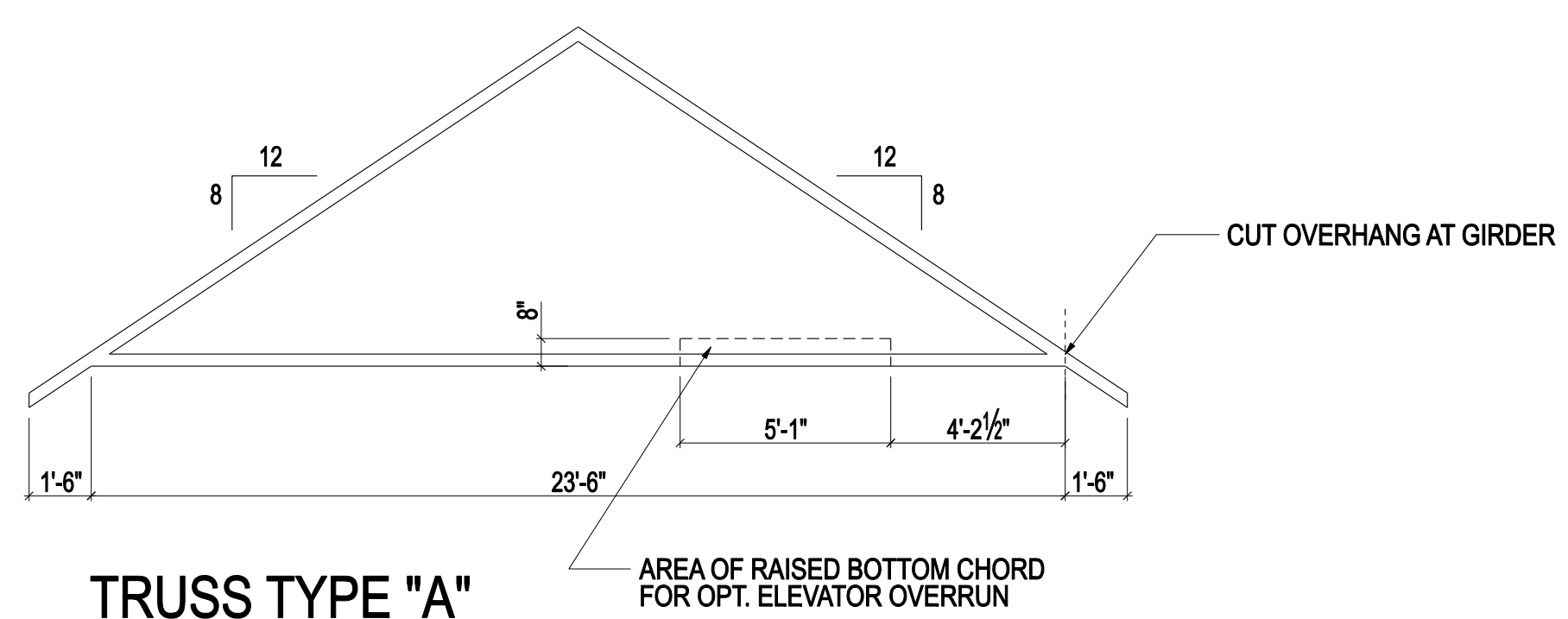
Project Architect.  
F.S.

Drawn  
B.K., F.S.

Job No.  
05127.03

Scale  
1/8" = 1' - 0"

Drawing No.  
A205



# 1 ROOF FRAMING PLAN

1/4" = 1'-0"